

MCS LED Light

Registered trademark

Wide View Light

LP-600 series (Wide View Light) IP67, PSE, RoHS



For those who are seeking wide view illumination used in outdoor and indoor.



MICRO CONTROL SYSTEMS LTD.

Table of contents

LP-600 (Wide View Light) Major Features	-----1
LP-600 specification	-----5
Illuminance distribution map (LP-600)	-----6
LP-602 (Wide View Light) small type Major Features	-----7
LP-602 specification	-----8
Illuminance distribution map (LP-602)	-----9
LP-602 luminance distribution map on the ground	-----9

LP-600 (Wide View Light) series

MCS LED optical lens for machine tools light (LP-400 series) have been developed. Using the original LED optical lens technologies, new light projector, LP-600 series (registered trademark: Wide View Light) were newly developed. These series lights are suitable for long distance and wide range lighting. A 100 V portable generator can be used.

Wide View Light, LP-600 series are suitable for lighting such as night farm work, road construction site, building construction site, event venue, wide meeting place, outdoor playground etc.

Patents of these LED lenses, lighting devices, lighting methods are registered.
[Patent No. 5641544] [Patent No. 5641547]

LP-600 (Wide View Light)

■ Major Features

• Wide range and long distance lighting

10 lx or more within a radius of 10 m under consumption power 30 W

the opening angle of illumination ± 60 degrees.

→ Wide range lighting more than twice as large as our products

→ The vertical angle of the illuminator beam can be changed manually.

• Power saving design: 30 W

→ 100V portable generator can be used.
15 wide view lights can be connected to 500 W portable generator.

→ PSE compliant , RoHS compliant.



• Safety design

- **Long life (maintaining luminous flux 70%)**

→ 60,000 hours (2500 days = about 6.8 years in continuous use)

- **Perfect waterproofing**

→ It can be used even in rainy weather (IP 67).

→ The body can be washed with water

- **Easy to carry ! Compact size!**

→Weight with illuminator and tripod stand is 8 kg.

→Illuminator height (1.6 ~ 2.2 m)

Photo 1 shows dimension of a three-legged LED projector (Wide View Light). Photo.2 shows the illumination scenery in lettuce field. A portable generator of 100V was used as the power supply. Illumination design with depth of 10 m or more is done.

Besides farm work lighting, it is also suitable for a wide range of lighting such as construction site lighting, event field lighting, disaster work lighting, outdoor playground. We can respond to your desired lighting requirements. Please contact us.

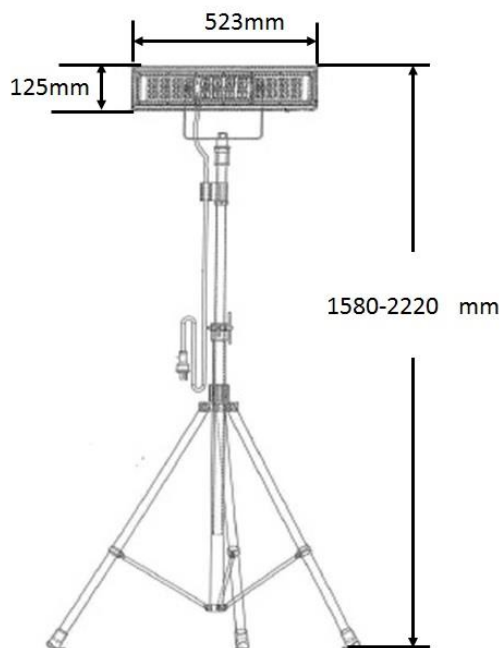


Photo 1. LP-600 LED projector

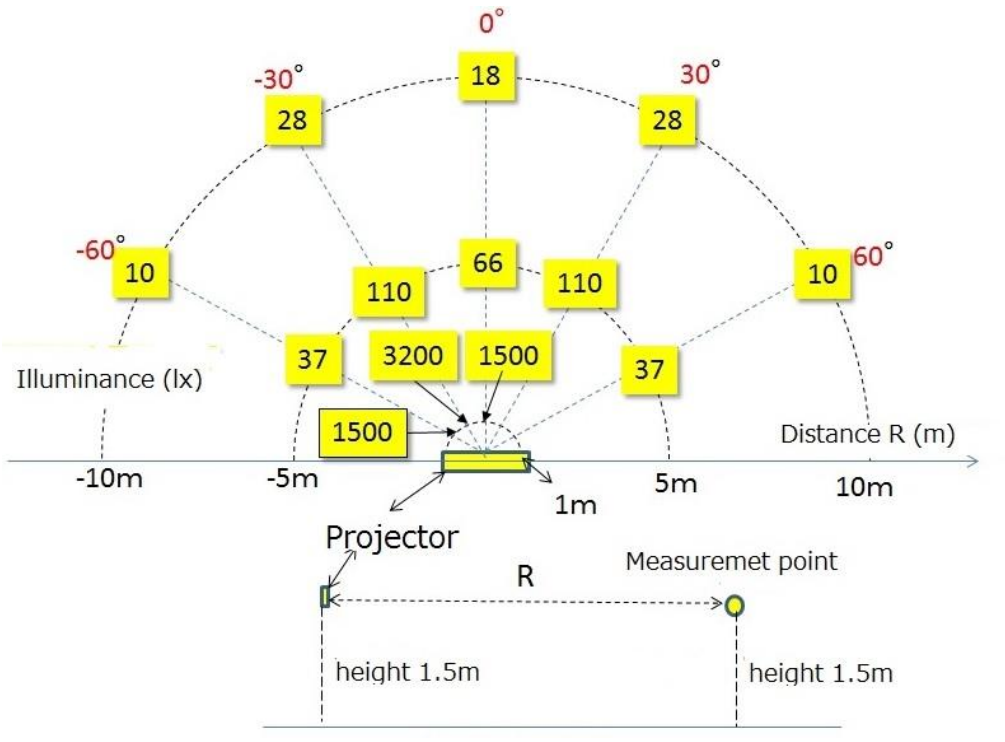


Photo 2. Illumination scenery in lettuce field

LP-600 specification

Rated input voltage	AC100V 50Hz/60Hz
Consumption current	Below 30mA
Operating voltage range	AC90~110V 50Hz/60Hz
Rated power	30W
Operating temperature range	-10°C~40°C
Storage temperature range	-10°C~40°C
Used (storage) humidity range	35~85%RH
Withstand voltage	5 mA or less (AC 1000 V between the case and input for 1 minute)
Insulation resistance	Below 5 mA (DC 500 V between the case and input for 1 minute)
Weight	about 8 Kg
Protective structure	IP 67F
Life span	60,000hours (Luminous flux maintenance factor 70%)

Illuminance distribution map (LP-600)



LP-602 (Wide View Light) small type

■ Major Features

- Wide range and long distance lighting

- New LED lens system adopted
- Wide range lighting more than twice as large as our products
- The vertical angle of the illuminator beam can be changed manually.

- Power saving design: 20 W

- 100V portable generator can be used.
It is possible to connect 25 units with ex.500 W p



- Safety design

- PSE compliant , RoHS compliant.

- Long life (maintaining luminous flux 70%)

- 60,000 hours (2500 days = about 6.8 years in continuous use)

- Perfect waterproofing

- It can be used even in rainy weather (IP 67 conformity: it will not hurt even if it is submerged).
- The body can be washed with water

- Easy to carry !

- Weight with illuminator and tripod stand is about 7 kg.

• **Compact size!**

→Illuminator height (1.6 ~ 2.2 m)

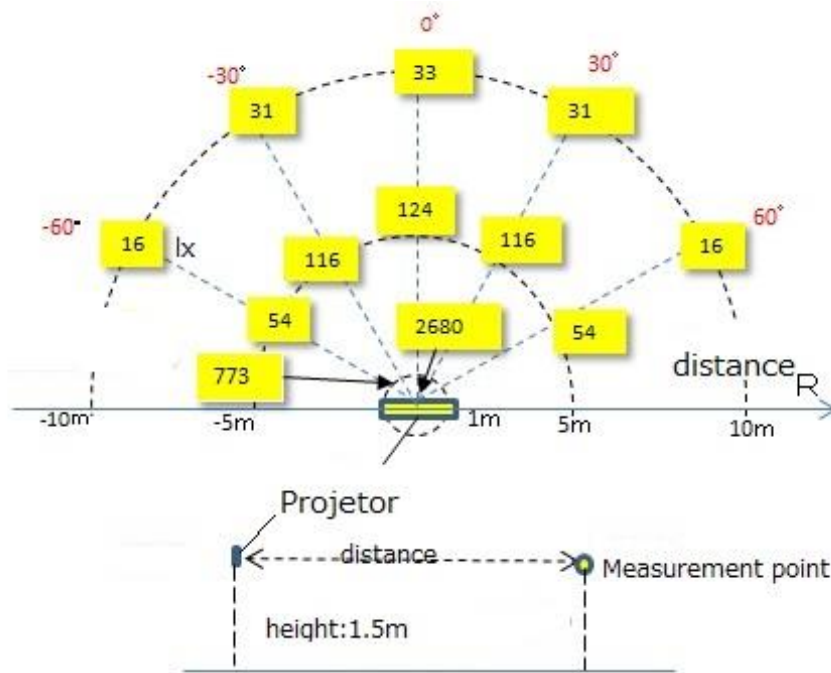
Illuminator width : 410 mm

Illuminator height : 130 mm

LP-602 specification

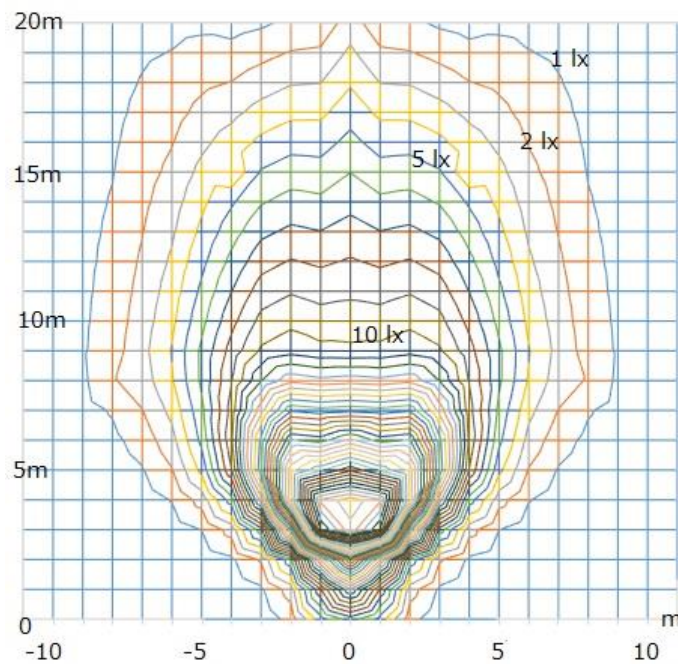
Rated input voltage	AC100V 50Hz/60Hz
Consumption current	Below 20mA
Operating voltage range	AC90~110V 50Hz/60Hz
Rated power	20W
Operating temperature range	-10°C~40°C
Storage temperature range	-10°C~40°C
Used (storage) humidity range	35~85%RH
Withstand voltage	5 mA or less (AC 1000 V between the case and input for 1 minute)
Insulation resistance	Below 5 mA (DC 500 V between the case and input for 1 minute)
Weight	About 7 kg
Protective structure	IP 67F compliant
Life span	60,000hours (Luminous flux maintenance factor 70%)

Illuminance distribution map (LP-602)



LP-602 luminance distribution map on the ground

LP-602 lens placement is designed to obtain higher illuminance in a wide range. Illuminance, 1 lx at about 20 meters away is realized on the ground





ISO9001 ISO14001

MCS has acquired certification of ISO 9001 (quality management system) and ISO 14001 (environmental management system), and we are actively working on quality control and environmental conservation.



MICRO CONTROL SYSTEMS LTD.

143 Shimogoe, Saku City, Nagano Prefecture, 384-0414, Japan

TEL:+810267-81-1311, FAX:+810267-81-1312 , E-mail:info@micro-control.co.jp